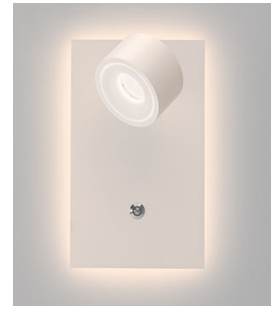


CLIPPO S READING

SPECIFICATIONS

MOUNTING		WALL
POWER	[W]	4,4 direct / 5 indirect
LAMP		built-in LED
LUMINOUS FLUX*	[lm]	530 / 725
LIGHT COLOUR	[K]	2700 direct / 1800/2200/2700 ind.
CRI		>90
BEAM ANGLE	[°]	34 (default)
AVERAGE LIFETIME	[h]	L80/B50.000
LUMINOUS EFFICACY	[lm/W]	120 / 131
POWER SUPPLY	[V] [A]	220-240V AC 50/60 Hz
LED-DRIVER		INCLUDED
DIMMING		TOUCH DIM
THROUGH-WIRING		YES
MATERIAL		ALUMINUM
INGRESS PROTECTION		IP20
PROTECTION CLASS		I
NET WEIGHT	[kg]	0,80
GROSS WEIGHT	[kg]	0,83
COLOUR (HOUSING)		WHITE ~RAL9003
COLOUR (HOUSING)		BLACK ~RAL9005



LIGHT DISTRIBUTION **34°**

n/a

*Luminous flux values are nominal LED data at a operating temperature of 25° C

OPTIONS / OPTIONAL ACCESSORIES

REFLECTOR	[°]	24 / 48
HONEY COMB LOUVER		BLACK
ANTI GLARE RING		GOLD



Colours



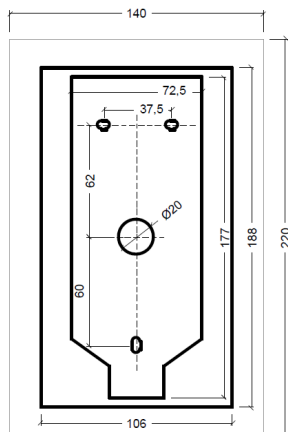
white/white

white/gold

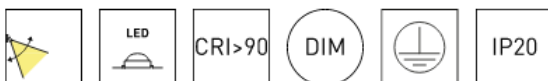
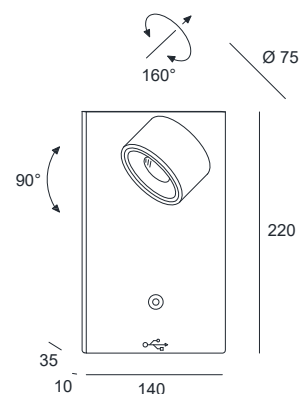
black/black

black/gold

MOUNTING DIMENSIONS



FIXTURE DIMENSIONS



DLS LIGHTING

www.dslighting.com

***DLS**
LIGHTING