

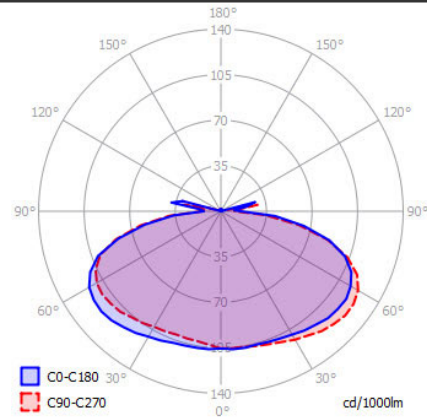
# SUN

## SPECIFICATIONS

MOUNTING		CEILING / WALL
POWER	[W]	18
LAMP		built-in AC LED
LUMINOUS FLUX*	[lm]	1180
LIGHT COLOUR	[K]	3000
CRI		>80
BEAM ANGLE	[°]	-
AVERAGE LIFETIME	[h]	L80/B50.000
LUMINOUS EFFICACY	[lm/W]	65
POWER SUPPLY	[V] [A]	220-240V AC 50/60 Hz
LED-DRIVER		-
DIMMING		NO
THROUGH-WIRING		NO
MATERIAL		ALUMINUM
INGRESS PROTECTION		IP20
PROTECTION CLASS		I
NET WEIGHT	[kg]	2,72
GROSS WEIGHT	[kg]	2,80
COLOUR (HOUSING)		WHITE ~RAL9003



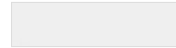
## LIGHT DISTRIBUTION



\*Luminous flux values are nominal LED data at a operating temperature of 25° C

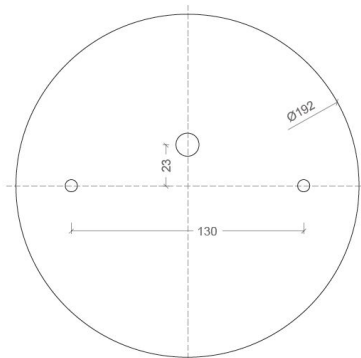
## OPTIONS / OPTIONAL ACCESSORIES

### Colours

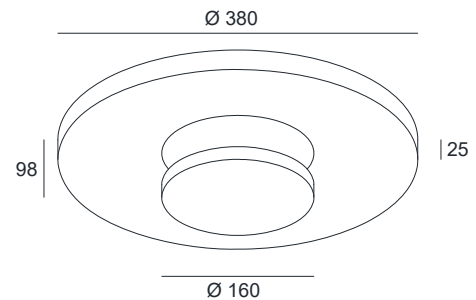


white

## MOUNTING DIMENSIONS



## FIXTURE DIMENSIONS



DLS LIGHTING

www.dslighting.com

**\*DLS**  
LIGHTING