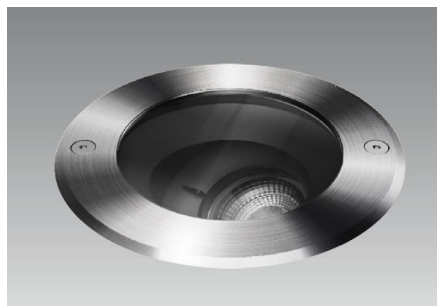


# SCOTTY 9

## SPECIFICATIONS

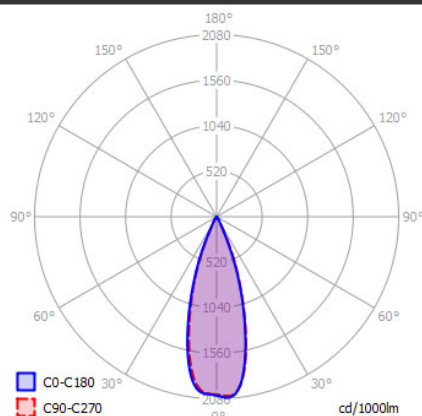
<b>MOUNTING</b>		INGROUND
POWER	[W]	9
LAMP		built-in LED
LUMINOUS FLUX*	[lm]	1125
LIGHT COLOUR	[K]	3000
CRI		>90
BEAM ANGLE	[°]	30
AVERAGE LIFETIME	[h]	L80/B50.000
LUMINOUS EFFICACY	[lm/W]	125
<b>POWER SUPPLY</b>		220-240V AC 50/60 Hz
LED-DRIVER		INCLUDED
DIMMING		PHASE DIM
THROUGH-WIRING		YES (JUNCTION BOX IV)
<b>MATERIAL</b>		ALUMINUM
INGRESS PROTECTION		IP67
PROTECTION CLASS		I
NET WEIGHT	[kg]	1,60
GROSS WEIGHT	[kg]	1,65
<b>COLOUR (HOUSING)</b>		STAINLESS STEEL
CUT-OUT	[mm]	Ø165
RECESSED DEPTH (H)	[mm]	200
OUTLET CABLE		2,0m H05RN-F 3x1,0mm <sup>2</sup>

\*Luminous flux values are nominal LED data at a operating temperature of 25° C



## LIGHT DISTRIBUTION

30°



## OPTIONS / OPTIONAL ACCESSORIES

MICRO JUNCTION BOX	II	BLACK
MICRO JUNCTION BOX	IV	BLACK
15° and 50° beam angle on request		

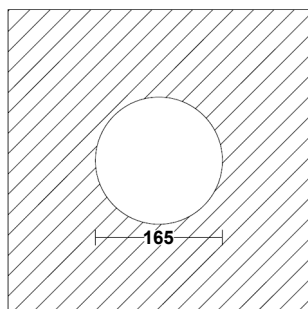


## Colours

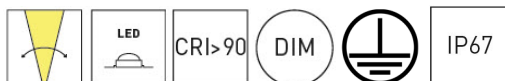
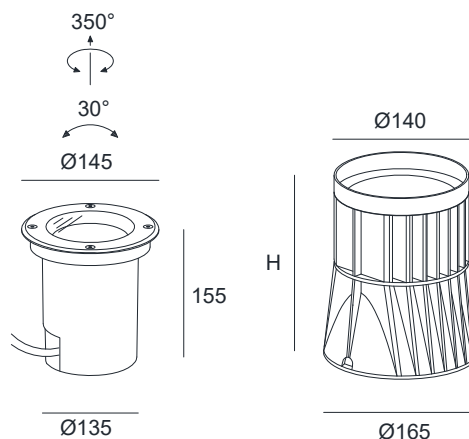


stainless steel

## CUT OUT DIMENSIONS



## FIXTURE DIMENSIONS



DLS LIGHTING

www.dslighting.com

**\*DLS**  
LIGHTING