

VENN 3.0 phase-cut dim

11-Jul.-2019

3.0

LED 47W | 220-240VAC | 50-60Hz | PCB 3-step | phase-cut dim

CE IP20



White texture

149384W_

Black texture

149384B_

Bronze

149384Q_

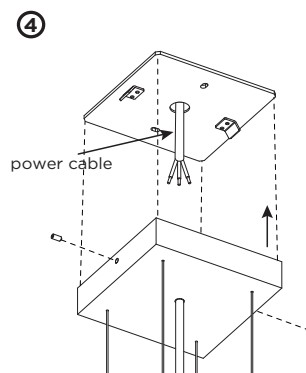
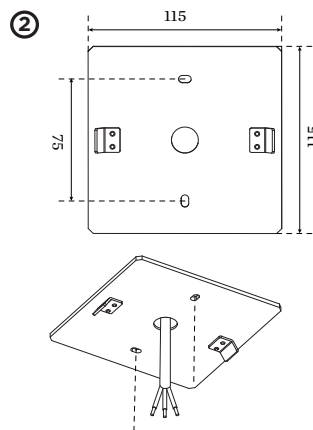
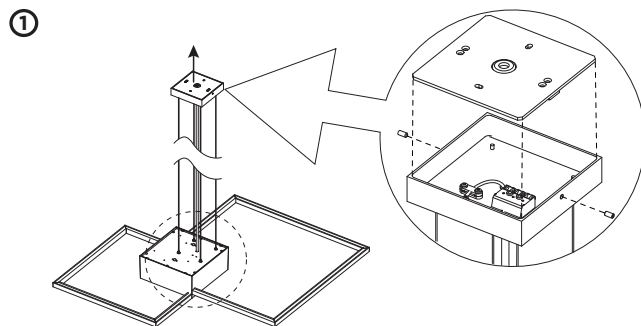
LIGHT COLOUR

2700K | >80CRI | direct 370lm, indirect 2100lm

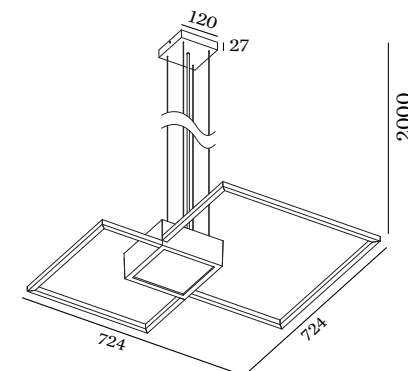
2

3000K | >80CRI | direct 400lm, indirect 2250lm

4



DIMENSIONS

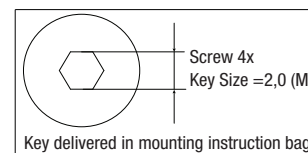
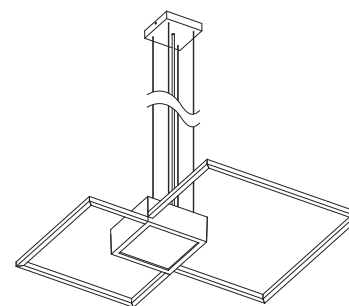
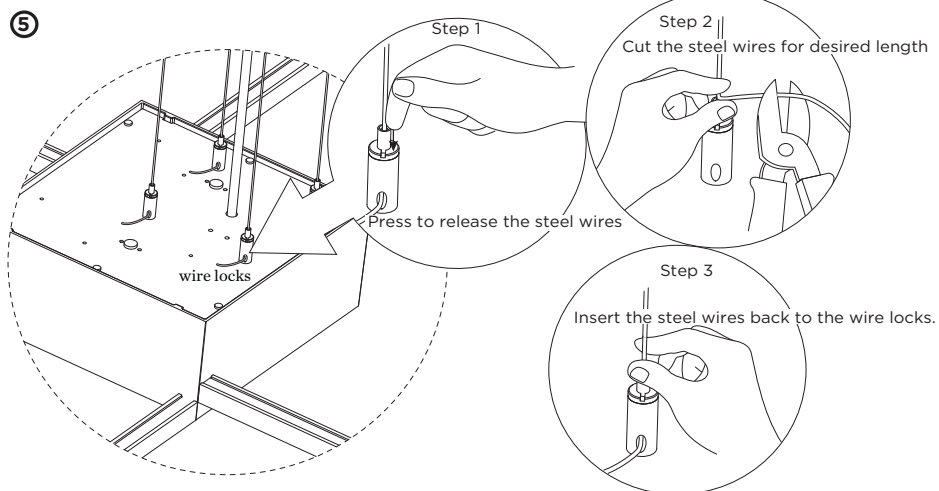
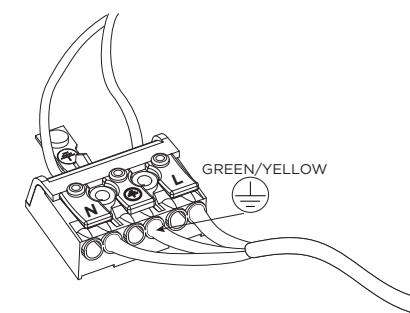


MOUNTING PLATE FIXATION

- 1 Remove the mounting plate.
- 2 Fixate the mounting plate to the ceiling with screws.

POWER CONNECTION

- 3 Connect the power cable.



- 4 Fixate the mounting box to the mounting plate.
- 5 Option: shorten the length of the steel wires.
- 6 Complete



WEVER & DUCRÉ
LIGHTING

www.weverducre.com

Wever & Ducre bvba Spinnerijstraat 99/21 8500 Kortrijk

INSTALLATION
INSTRUCTIONS

PAGE 1/2

VENN 3.0

DETAILED MOUNTING INSTRUCTION

11-Jul.-2019

DETAILED DIMENSIONS VENN:

