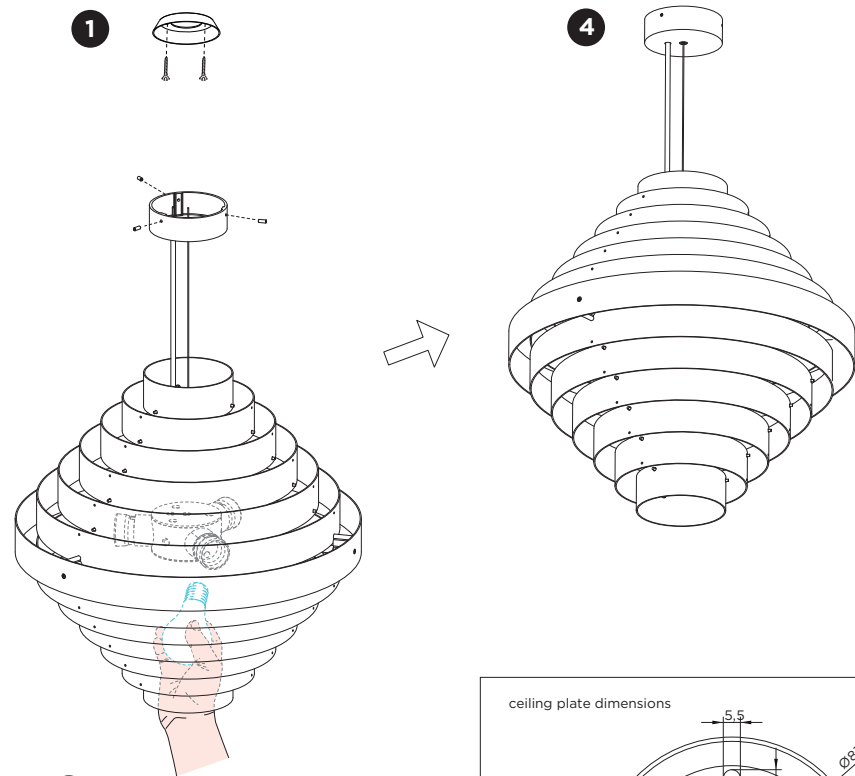
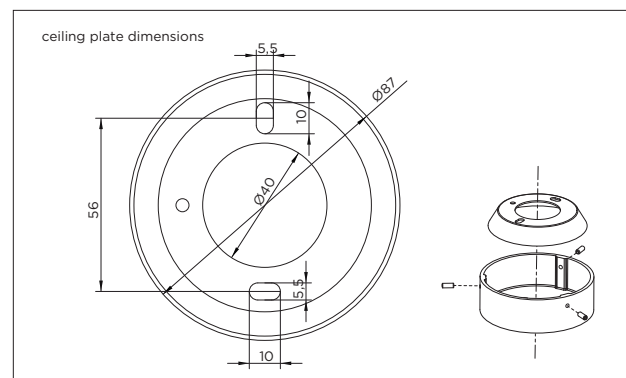


# J.J.W. 05

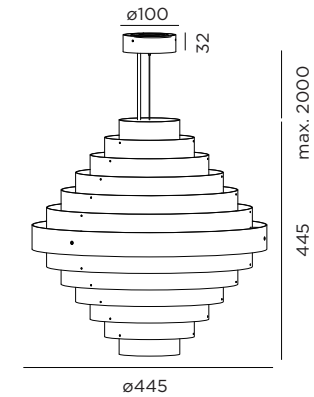
INSTALLATION INSTRUCTIONS | DECEMBER 2020



Installation and replacement of lamps

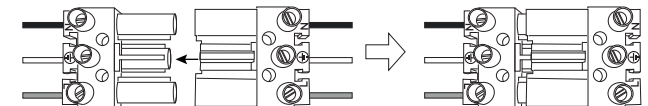


## DIMENSIONS



## MOUNTING INSTRUCTION

- 1** Remove the ceiling plate and mount it on the ceiling with screws (screws are not included).
- 2 POWER CONNECTION**  
connect to 220-240V



- 3** Insert the lamps (lamps are not included).
- 4** Mount the fixture to the ceiling plate with the side screws.
- 5 EXTRA INFO**

Lamp replacement: all lamps can be replaced by hand, make sure the lamp is cold. For aesthetic reasons: please make sure that the lamellas hang parallel after installation.