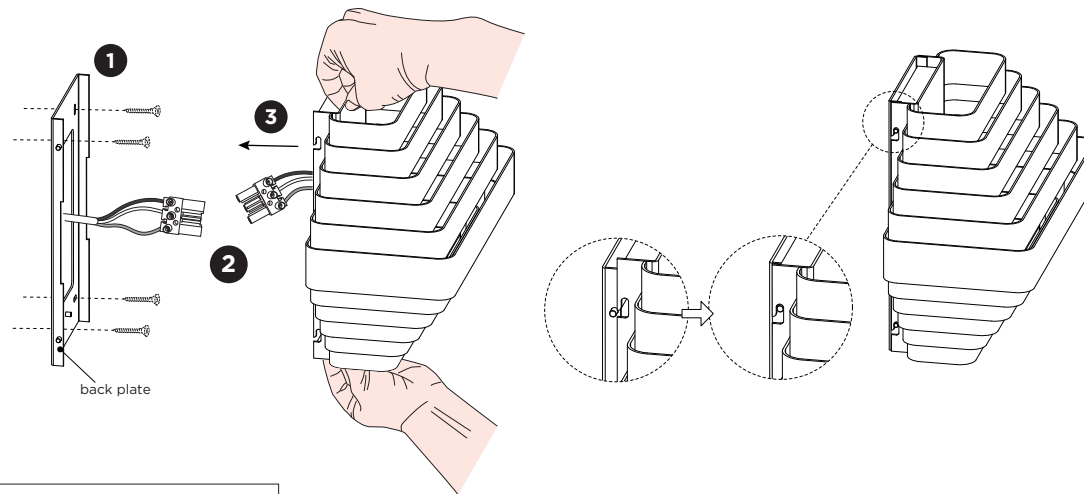
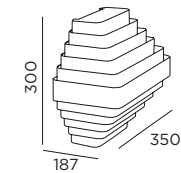


J.J.W. 01

INSTALLATION INSTRUCTIONS | DECEMBER 2020

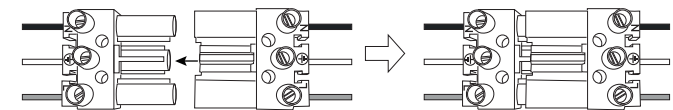


DIMENSIONS



MOUNTING INSTRUCTION

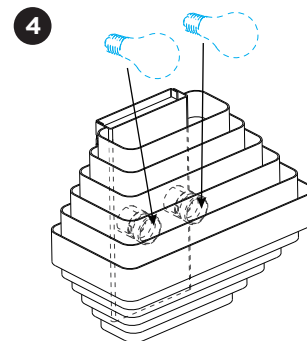
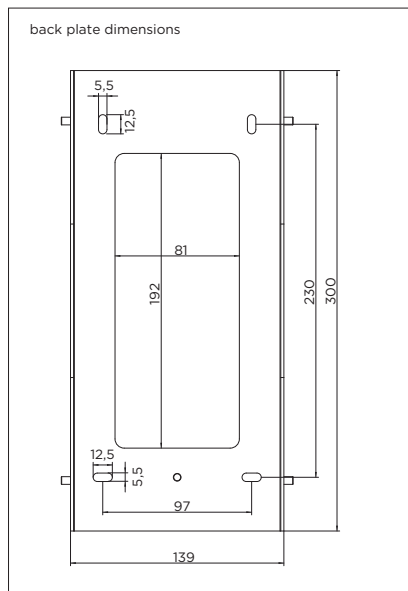
- 1** Remove the back plate and mount it on the wall with screws (screws are not included).
- 2 POWER CONNECTION**
connect to 220-240V



Please do not hold the luminaire by the lamellas when installing the product. For aesthetical reasons please make sure that the lamellas hang parallel after installation.

- 3** Mount the fixture to the back plate by aligning the pins into the slots and sliding the fixture downwards.
- 4** Insert the lamps. lamps need to be tilted to position them into the fixture (lamps are not included).
- 5 EXTRA INFO**

Lamp replacement: all lamps can be replaced by hand, make sure the lamp is cold. For aesthetical reasons: please make sure that the lamellas hang parallel after installation.



Installation and replacement of lamps